

Digital Weighing Indicator



>Model DN520N

- Application of Packer, Filler, Hopper, Checker, Limit Scale, etc.
- Totalling function by Parts.(50 parts)
- 2 Step Control (SP1, SP2)
- 6 Control RELAY according to MODE
 - LIMIT, PACKER MODE: (SP1, SP2, FINISH, UNDER NG, OVER NG, ZERO)
 - CHECKER MODE 1, 2, 3: (SP1[LOW], SP2[HIGH], OK, NG, ZERO)
- RELAY OUTPUT MODE: LIMIT, PACKER, CHECKER
- Improved A/D Conversion speed and resolution(Max. 200times, 1/520,000)

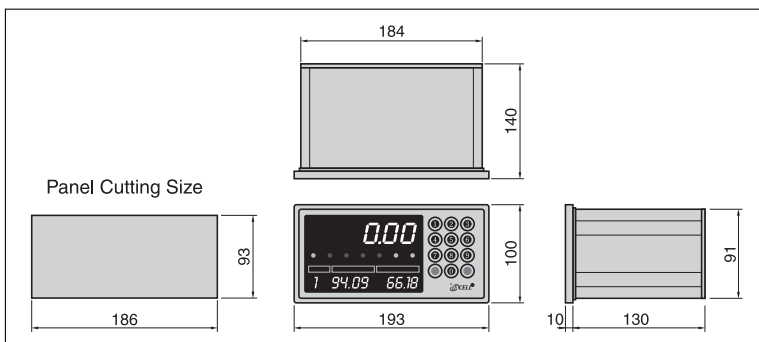
>SPECIFICATIONS

Specifications	Accuracy
Load cell excitation	10VDC±5%, 320mA
A/D converting speed	200times/sec
A/D converter resolution	: 1/520,000 counts(19bits), $\Delta \Sigma$
Nonlinearity	0.01% of full scale
Zero adjustment range	-0.6mV~42mV
Display Unit	7 segment, 20.0mm(H)×13.0(W)mm
Annunciator	steady, zero, tare, Run, SP1, SP2, hold, Interface
Decimal point position	0, 0.0, 0.00, 0.000
Keyboard	Number key and function key 12 PCS.
Temperature-drift	Zero ±20PPM/°C, Span ±20PPM/°C
Rear panel	Loadcell input : 5pin connector External control : 12pin input terminal (zero, tare, tare reset/hold/print, gross/hold reset/subprint, Current loop, RS232C) control relay output : 7pin terminal
Power	SMPS Free Voltage (85V~265V)

Option

- ① Analog Out-put (V-out) : 0~10V, 0~5V ② Analog Out-put (I-out) : 4~20mA
 ③ Serial I / F : RS-422, RS-485 ④ BCD In-put
 ⑤ BCD In-out
 ※ RS232C and Current loop : Standard Installed

>DIMENSIONS



>Model DN530N

- Application of Packer, Filler, Hopper, Limit, Loss-In weighing
- 3 Step Control (PRESET1, PRESET2, PRESET3)
- 6 Control RELAY MODE :SP1, SP2, SP3, FINISH, ERROR, NEAR, ZERO
- RELAY OUTPUT MODE :(LIMIT, PACKER, DISCHARGE LIMIT, LOSS IN MODE1, LOSS IN MODE2)
- Improved A/D Conversion speed and resolution(Max. 200times, 1/520,000)

>SPECIFICATIONS

Specifications	Accuracy
Load cell excitation	10VDC±5%, 320mA
A/D converting speed	200times/sec
A/D converter resolution	1/520,000 counts(19bits), $\Delta \Sigma$
Nonlinearity	0.01% of full scale
Zero adjustment range	-0.6mV~42mV
Display Unit	7 segment, 20.0mm(H)×13.0(W)mm
Annunciator	steady, zero, tare, Run, SP1, SP2, hold, Interface
Decimal point position	0, 0.0, 0.00, 0.000
Keyboard	Number key and function key 12 PCS.
Temperature-drift	Zero ±20PPM/°C, Span ±20PPM/°C
Rear panel	Loadcell input : 5pin connector External control : 12pin input terminal (zero, tare, tare reset/hold/print, gross/hold reset/subprint, Current loop, RS232C) control relay output : 7pin terminal
Power	SMPS Free Voltage (85V~265V)

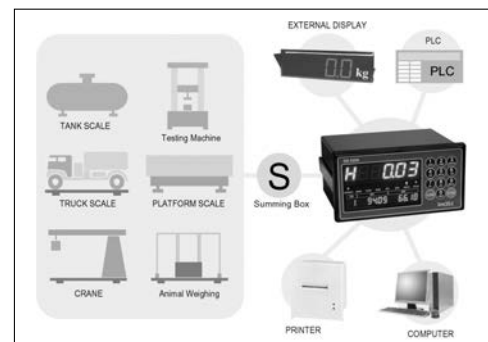
- Option ① Analog Out-put (V-out) : 0~10V, 0~5V ② Analog Out-put (I-out) : 4~20mA
 ③ Serial I / F : RS-422, RS-485 ④ BCD In-put
 ⑤ BCD In-out
 ※ RS232C and Current loop : Standard Installed

>RELAY MODE

	OUT1	OUT2	OUT3	OUT4	OUT5	OUT6
Limit ("A" Dry)	SP1	SP2	SP3	Low N.G	High N.G	Zero
Packer ("B" Dry)	SP1	SP2	SP3	Finish	N.G	Zero
Discharge Limit	SP1	SP2	SP3	Low N.G	High N.G	Zero
Feed Discharge	SP1(Feed)	SP2(Dist)	SP3(Dist)	Low N.G	High N.G	Zero
1 Feed / 2 Discharge	SP1(Feed)	SP2(Dist)	SP3(Dist)	Finish	N.G	Zero
2 Feed / 1 Discharge	SP1(Feed)	SP2(Dist)	SP3(Dist)	Finish	N.G	Zero

unit:mm

>APPLICATION



★Specifications are subject to change without notice.